

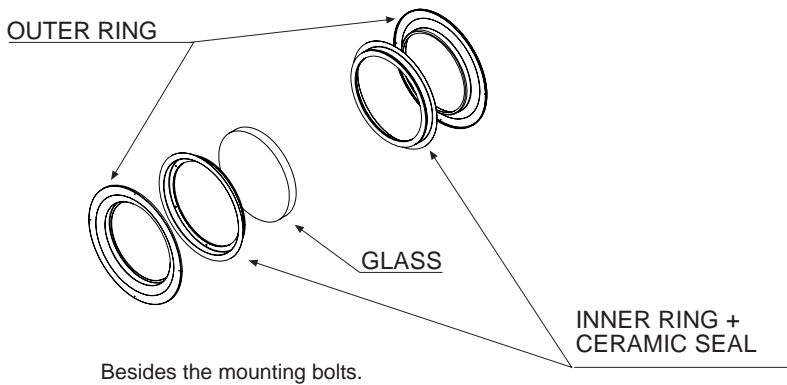
# Assembly

## Fire proof glass kit

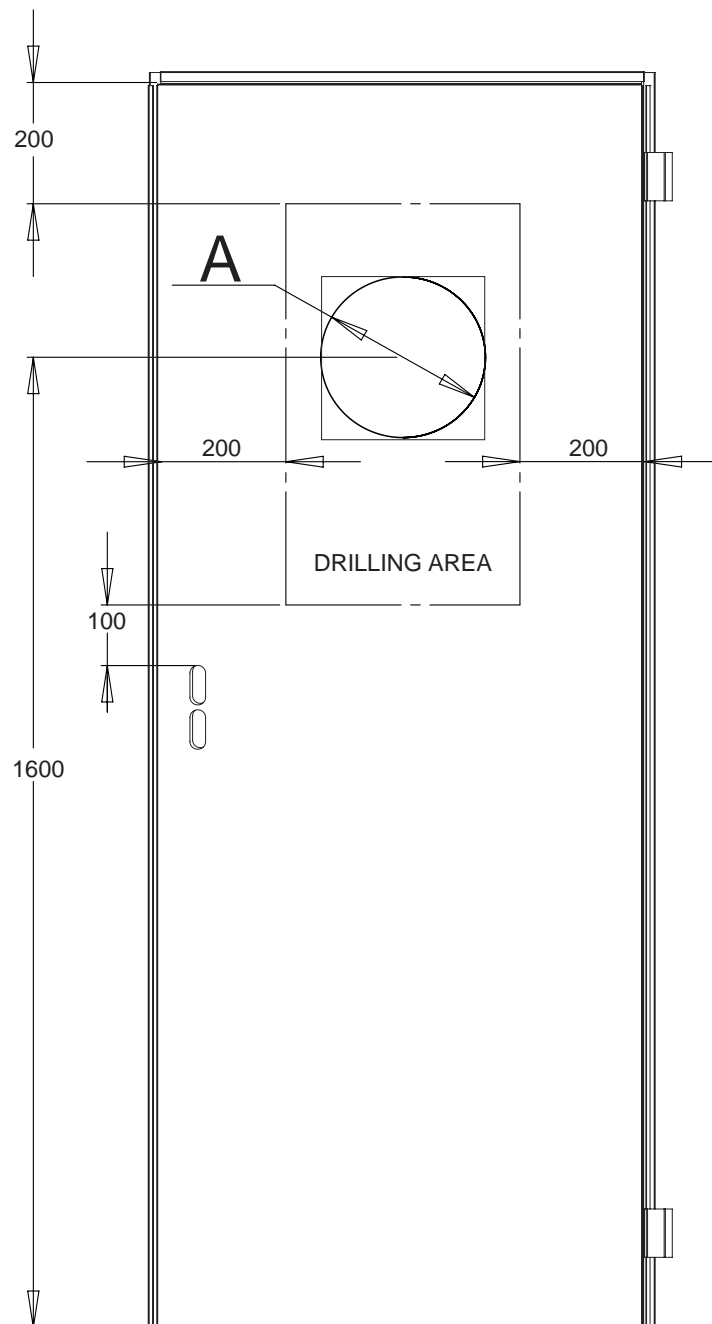
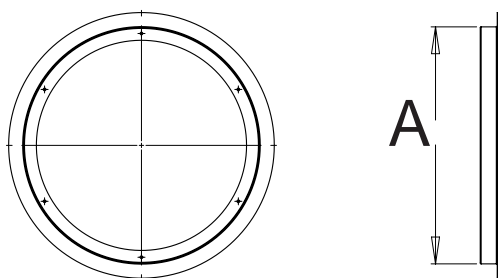
Rubio CMC is not responsible for t wrong installation of fire proof glass made by customer.

1. Drill the door, just in the drilling area.  
The dimentions give the drilling of inner ring A sight glass, this ring should enter the door, you do not over-tighten

### COMPONENT



### INNER RING

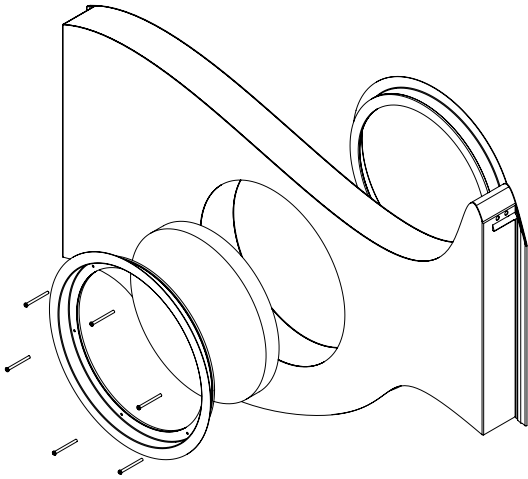


CODE	NAME	NAME 2	A	UN	DEC.	HOMLOG.
10920	KIT CTE.25 MIR.CIR.NGR.EI2 60	(NEW REGULATIONS)	270	mm	negro	SI
10932	KIT CTE.25 MIR.CIR.NGR.EI2 90	(NEW REGULATIONS)	270	mm	negro	NO
10934	KIT CTE.25 MIR.CIR.NGR.EI2 120	(NEW REGULATIONS)	270	mm	negro	SI
10919	KIT CTE.33 MIR.CIR.NGR.EI2 60	(NEW REGULATIONS)	350	mm	negro	SI
10950	KIT CTE.25 MIR.CIR.INOX EI2 60	(NEW REGULATIONS)	270	mm	inox	SI
10918	KIT CTE.25X25 MIR.NGR EI2 60	(NEW REGULATIONS)	275x275	mm	negro	SI
10964	KIT CTE.33X33 MIR.NGR.EI2 60	(NEW REGULATIONS)	355x355	mm	negro	SI
10935	KIT CTE.33X33 MIR.NGR.EI2 120	(NEW REGULATIONS)	355x355	mm	negro	SI

If the crystal is outside the perforation special measure would be 6 mm. greater than the inner ring.

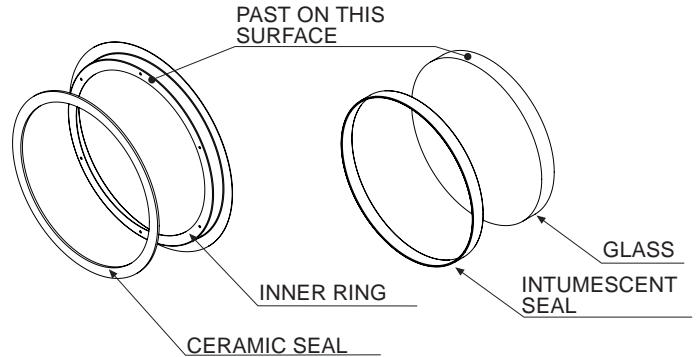
## Assembly Fire proof glass kit

Follow the steps to complete the assembly of the fire proof glass.

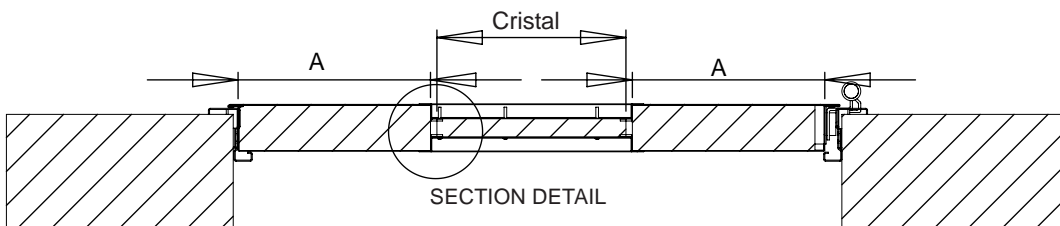
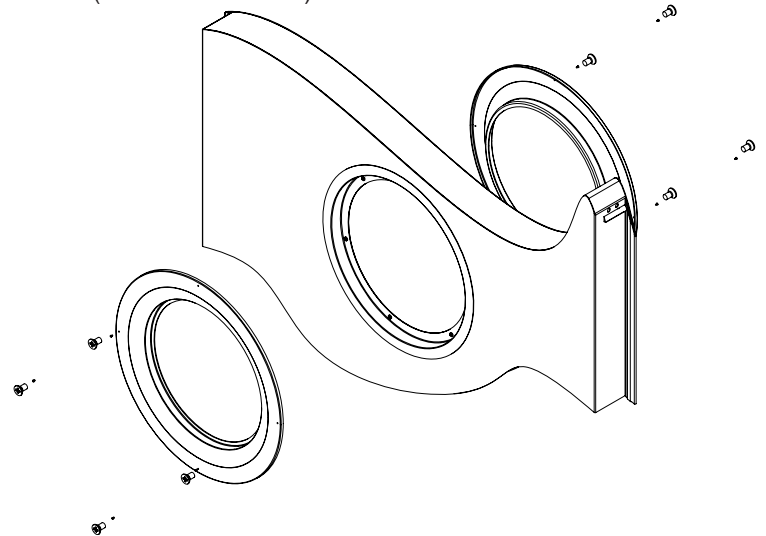


3. Install inner ring and glasses. Screw rings each other, leaving glass in the middle.

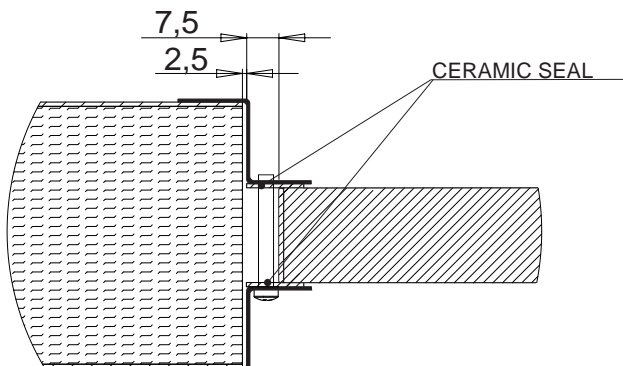
2. Paste the ceramic seal to the inner ring and the seal intumescent to the glass. If you don't use these seals, breaks and cracks may appear in the glass.



4. Screw the outer rings to the door. (screws out of scale).



INNER RING SECTION DETAIL



OUTER RING SECTION DETAIL

